

**PVC-U BALL VALVE SOLVENT CEMENT SOCKET UNION FOR WATERING-SWIMMING POOL**

PVC-U ball valve solvent cement socket union for watering, water distribution and swimming pool.  
3 pieces type with solvent cement socket union.  
Double O-ring EPDM on stem, EPDM gaskets and HDPE seat.



**Size :** DN15 to DN65  
**Connection :** Glued ends  
**Min Temperature :** +0°C  
**Max Temperature :** +60°C  
**Max Pressure :** 16 Bars (up to DN63)  
**Specifications :** Anti blow-out stem  
Double EPDM O-ring on stem  
3 pieces type  
PP handle

**Materials :** PVC-U

**PVC-U BALL VALVE SOLVENT CEMENT SOCKET UNION FOR WATERING-SWIMMING POOL**

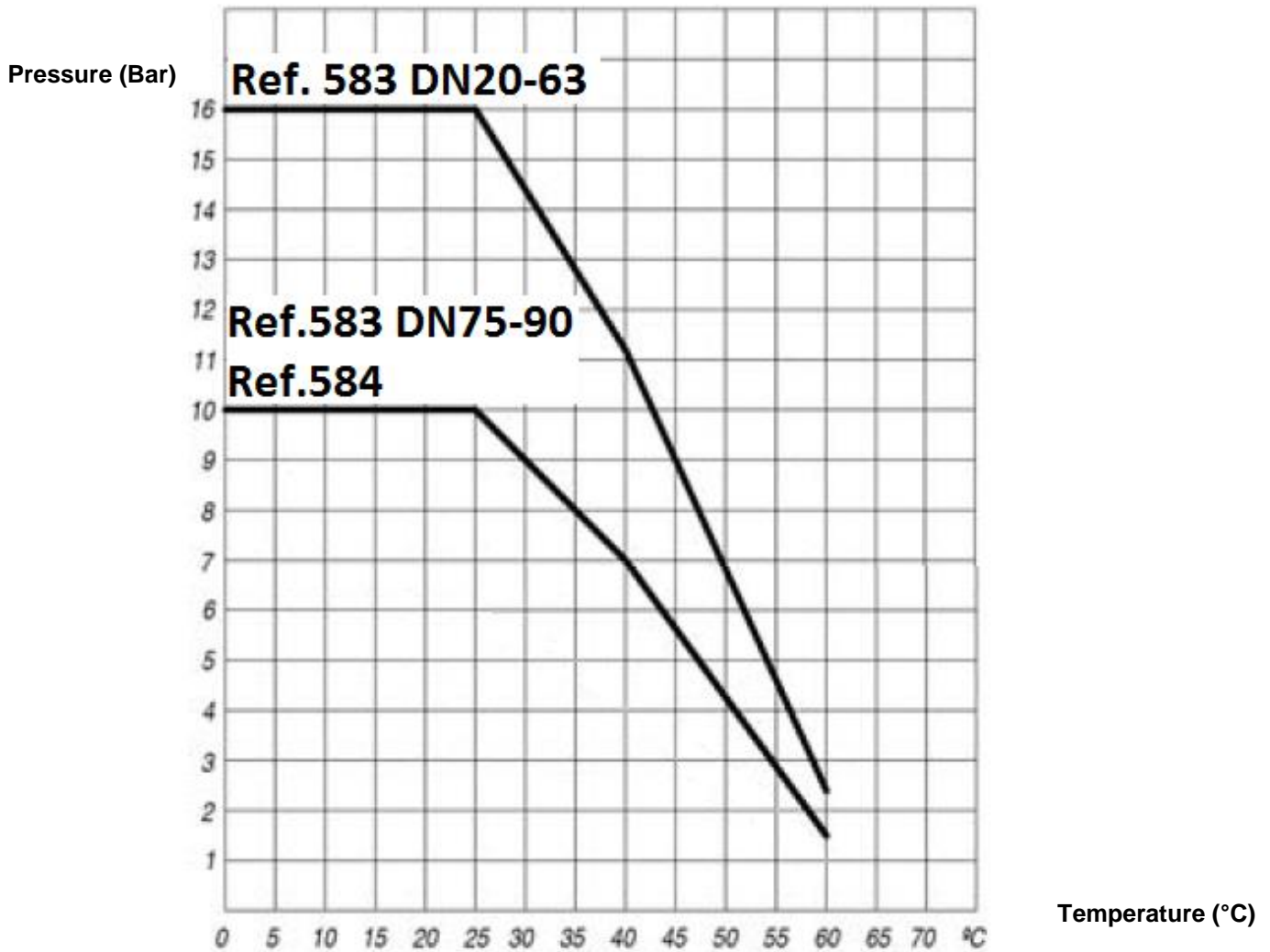
**SPECIFICATIONS :**

- Respect the flow direction indicated by the arrow
- 3 pieces type
- Double EPDM O ring
- Anti blow-out stem
- PP handle

**USE :**

- Watering, water distribution, swimming pool
- $\Delta p$  maxi : 3 bars
- Min Temperature Ts : + 0 °C
- Max Temperature Ts : + 60°C
- Max Pressure Ps : 16 bars up to DN 63, 10 bars over ( see graph under )

**PRESSURE / TEMPERATURE GRAPH (STEAM EXCLUDED) :**

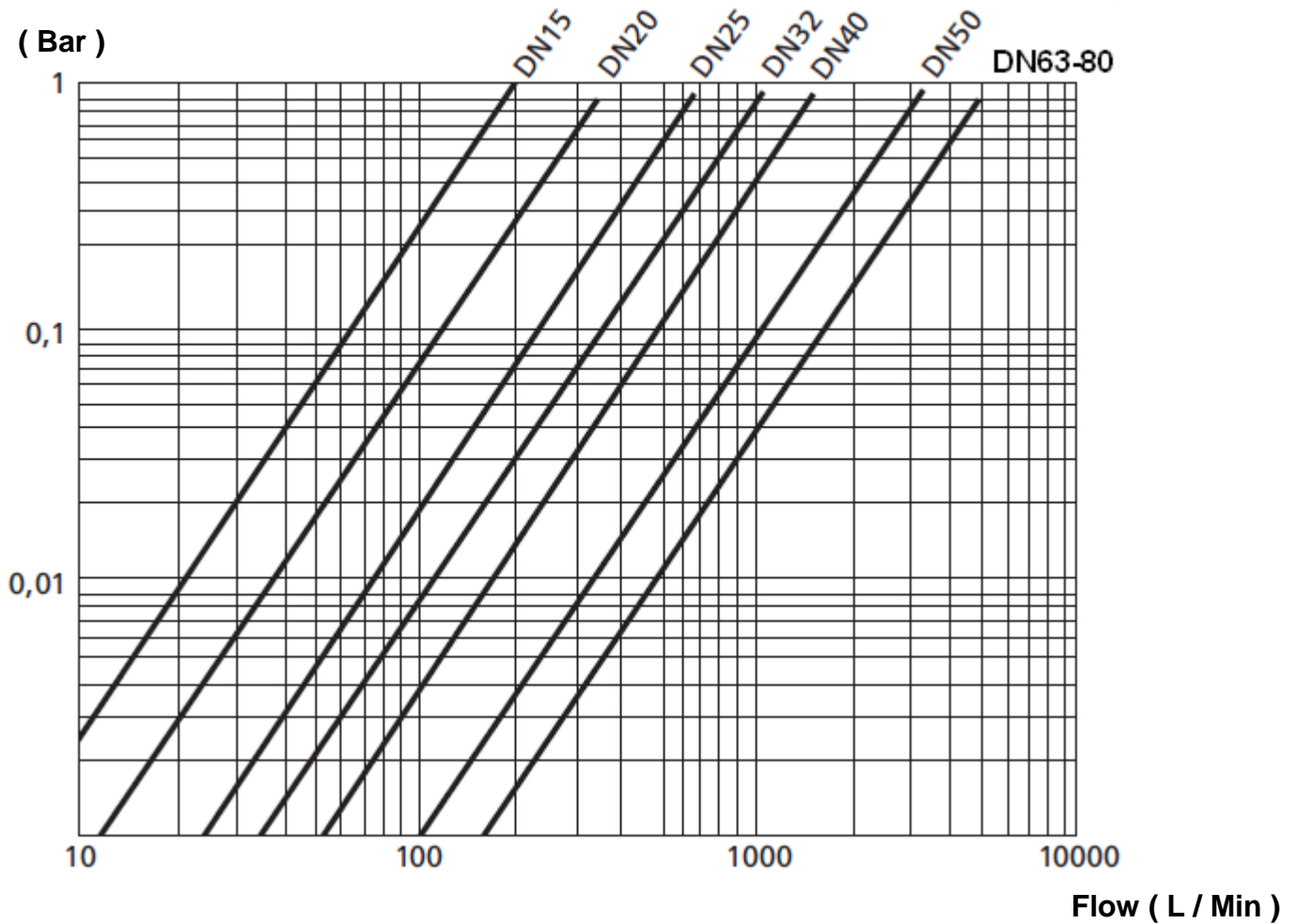


**PVC-U BALL VALVE SOLVENT CEMENT SOCKET UNION FOR WATERING-SWIMMING POOL**

**RANGE :**

- PVC-U ball valve solvent cement socket union **Ref. 583** from DN15/20 to 65/90

**HEAD LOSS GRAPH :**

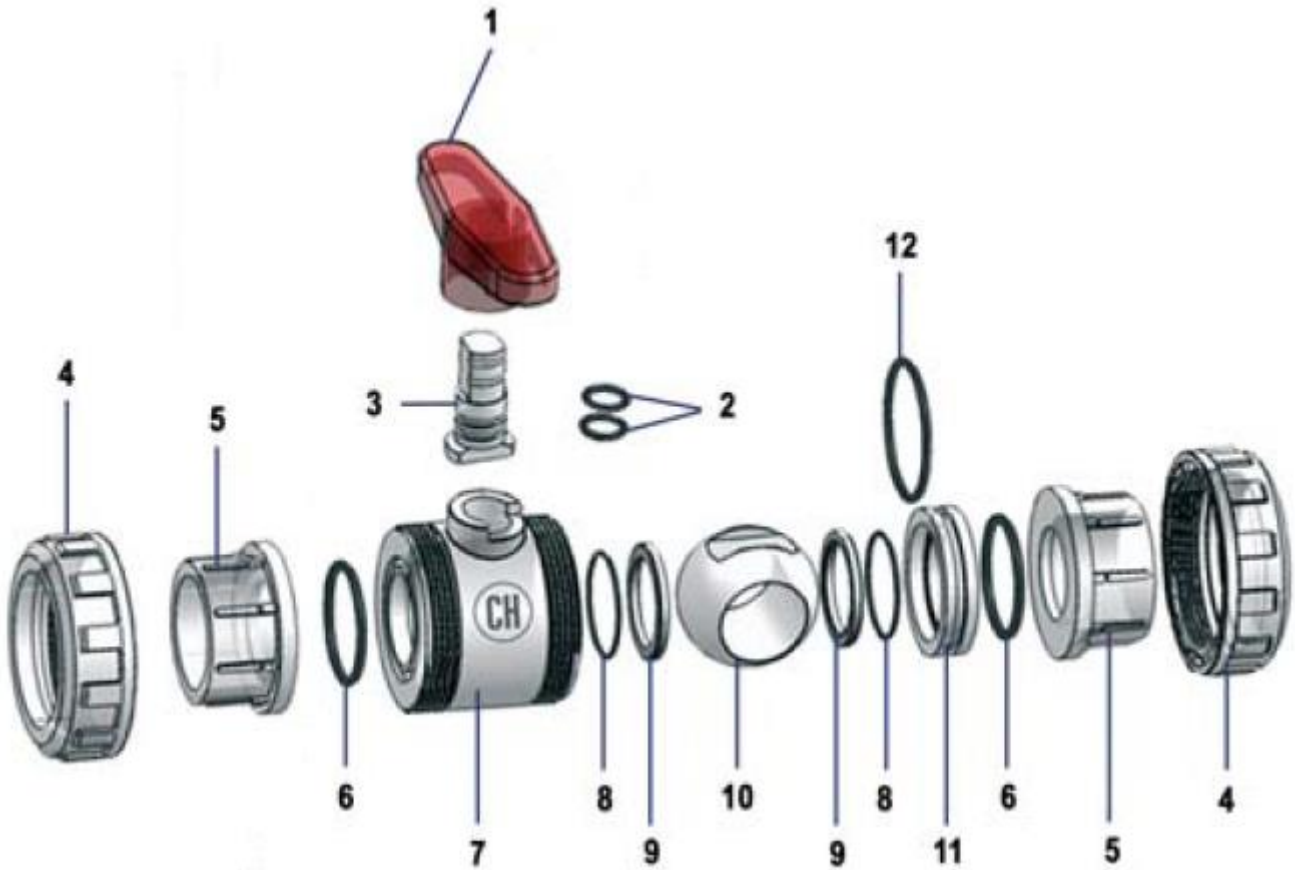


**TORQUE VALUES ( in Nm without safety coefficient ) :**

DN	15/20	20/25	25/32	32/40	40/50	50/63	63/75	63/90
Torque ( Nm )	3	3	6	7	12	18	40	45

**PVC-U BALL VALVE SOLVENT CEMENT SOCKET UNION FOR WATERING-SWIMMING POOL**

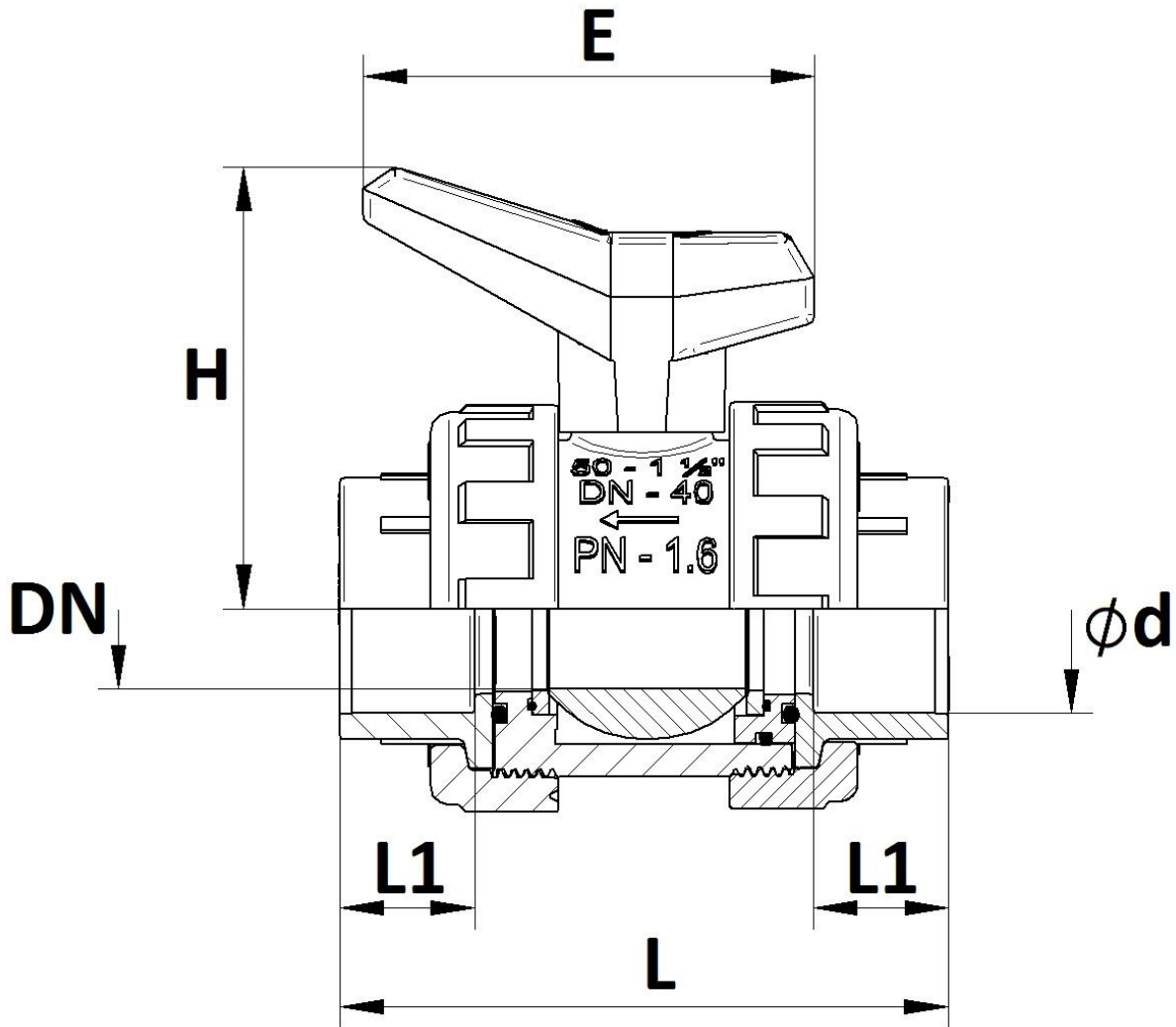
**MATERIALS :**



Item	Designation	Materials
1	Handle	PP
2	Stem o ring	EPDM
3	Stem	PVC-U
4	Nut	PVC-U
5	Nipple	PVC-U
6	Body gasket	EPDM
7	Body	PVC-U
8	Closing gasket	EPDM
9	Ball gasket	HDPE
10	Ball	PVC-U
11	Ring	PVC-U
12	Ring gasket	EPDM

**PVC-U BALL VALVE SOLVENT CEMENT SOCKET UNION FOR WATERING-SWIMMING POOL**

SIZE ( in mm ) :



DN	15	20	25	32	40	50	65	65
ø d	20	25	32	40	50	63	75	90
L	95	102	115	130	144	166	224	232
L1	16	19	22	26	31	38	44	51
E	61	61	82	82	110	110	152	152
H	55	58	77	81	107	113	152	152
Weight (in Kg)	0.15	0.2	0.3	0.46	0.75	1.05	2.5	2.47
Ref.	583020	583025	583032	583040	583050	583063	583075	583090

**PVC-U BALL VALVE SOLVENT CEMENT SOCKET UNION FOR WATERING-SWIMMING POOL**

**STANDARDS :**

- Manufacturer certified ISO 9001 : 2015
- DIRECTIVE 2014/68/EU : Products excluded from directive ( Article 1, § 2b )
- Size according to **EN 1452**
- Test according to **UNE EN 917**

**ADVICE :** Our opinion and our advice are not guaranteed and SFERACO shall not be liable for the consequences of damages.  
The customer must check the right choice of the products with the real service conditions.

Sferaco 90 rue du Ruisseau 38297 St Quentin Fallavier Tel: + 33 (0) 474.94.15.90 Fax: + 33 (0) 474.95.62.08 Internet: [www.sferaco.fr](http://www.sferaco.fr) E-mail : [info@sferaco.fr](mailto:info@sferaco.fr)

Date : 05/20

Rev.05